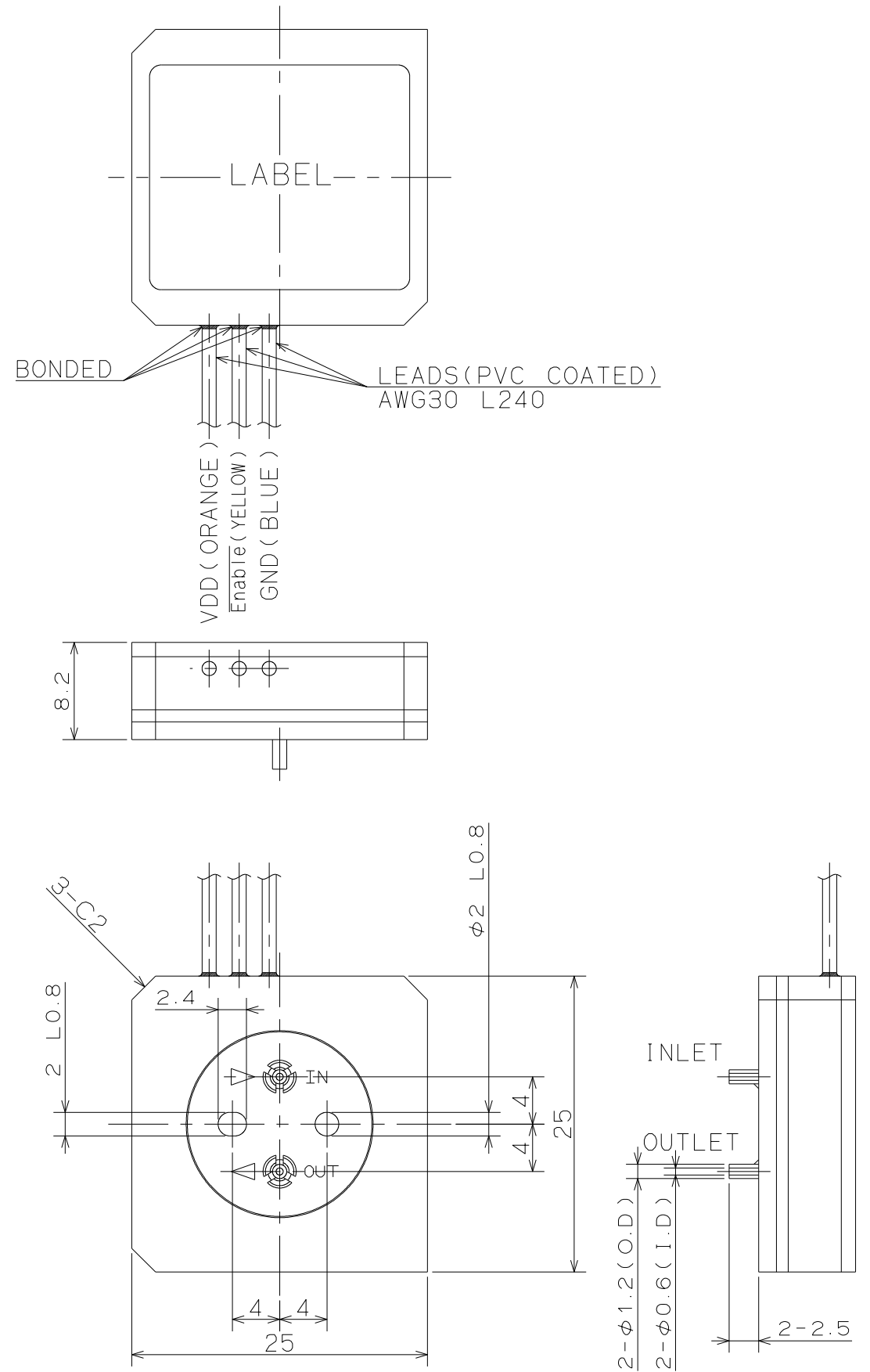


FOR REFERENCE ONLY

PIEZOELECTRIC MICRO PUMP

SPECIFICATIONS for MODEL SDMP302D



- MAXIMUM FLOW RATE : 3ml/min(Typ.)
(DISCHARGE/SUCTION LOAD PRESSURE=0kPa, VDD=5V)
- MAXIMUM PUMP PRESSURE : 40kPa(typ.)(FLOW RATE=0ml/min, VDD=5V)
- SUCTION LOAD PRESSURE : -1.0kPa(Typ.)
- PORT CONNECTION : HOSE BARB
- FLUID MEDIA : FLUIDS CHEMICALLY COMPATIBLE WITH MATERIALS BELOW
- MEDIA TEMPERATURE RANGE : 5 ~ 50°C
- AMBIENT TEMPERATURE RANGE : 5 ~ 50°C
- STORAGE TEMPERATURE RANGE : 0 ~ 55°C
- DRIVE METHOD : PIEZOELECTRIC ELEMENT
- INPUT VOLTAGE : 5VDC:5%
(INTERNALLY CONVERTED TO APPROX. 250Vp-p(30Hz) FOR PUMP DRIVE)
- POWER CONSUMPTION : 5mW/120mW(REFERENCE)
STAND-BY/OPERATING (VDD=5V)

THE ABOVE SPECIFICATIONS ARE BASED ON THE FOLLOWING CONDITIONS

- STANDARD DRIVE CONDITION : AMBIENT AND FLUID TEMPERATURE: 25°C
- FLUID MEDIA: PURE WATER
- INPUT VOLTAGE: 5VDC:5%

WETTED MATERIALS

| ELASTOMER DIAPHRAGM | EPDM | 2 | |
|-----------------------|----------|-------|------|
| PLASTICS DIAPHRAGM | COC | 1 | |
| DOWN SIDE PUMPHOUSING | COC | 1 | |
| UP SIDE PUMPHOUSING | COC | 1 | |
| PART NAME | MATERIAL | REQD. | NOTE |

PIEZOELECTRIC MICRO PUMP
SDMP302D